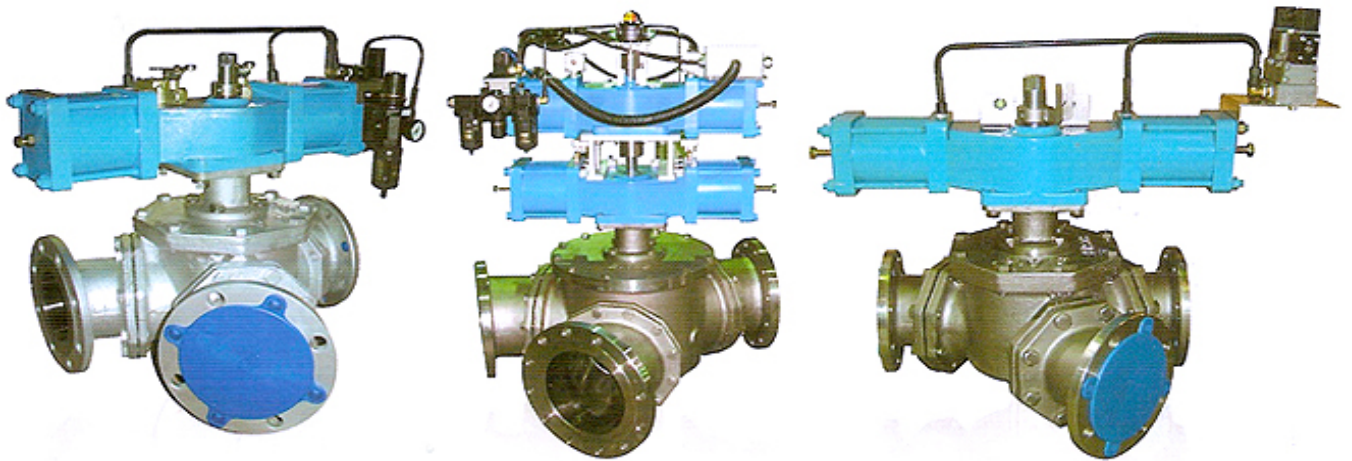


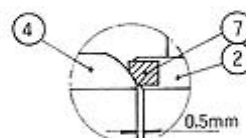
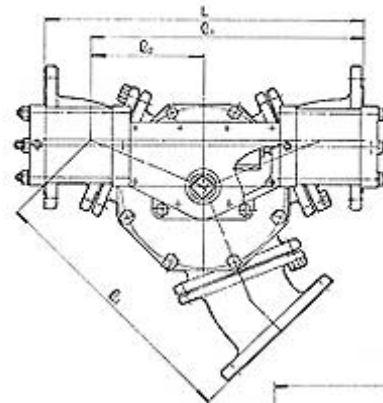
Series 45, 46 Features

R3Y SERIES DIVERTY 3-WAY BALL VALVE (Y-Type)

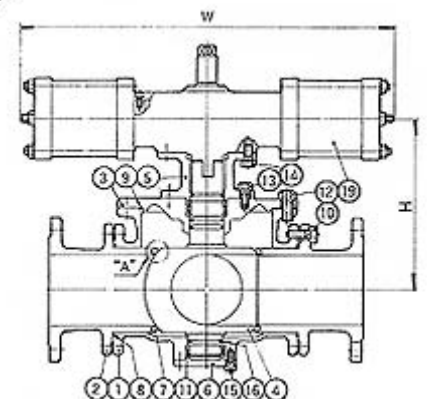


• Material Specification

No.	Part Name	Material
1	Body	Stainless Steel
2	Cap	Stainless Steel
3	Ball	Stainless Steel
4	Stem	Stainless Steel
5	Seat Ring	Teflon(Glass 15%)
6	Packing	Teflon
7	Gasket	Teflon
8	Back Seat Ring	Teflon
9	Washer	Stainless Steel
10	Gland	Stainless Steel
11	Stopper	Stainless Steel
12	Stud Bolt	Stainless Steel
13	Hex' Nut	Stainless Steel
14	Gland Bolt	Stainless Steel
15	Snap Ring	Carbon Steel(w/Ni coat')
16	Hand Lever	Ductile Iron



Detail "A"



● **Test Pressure**

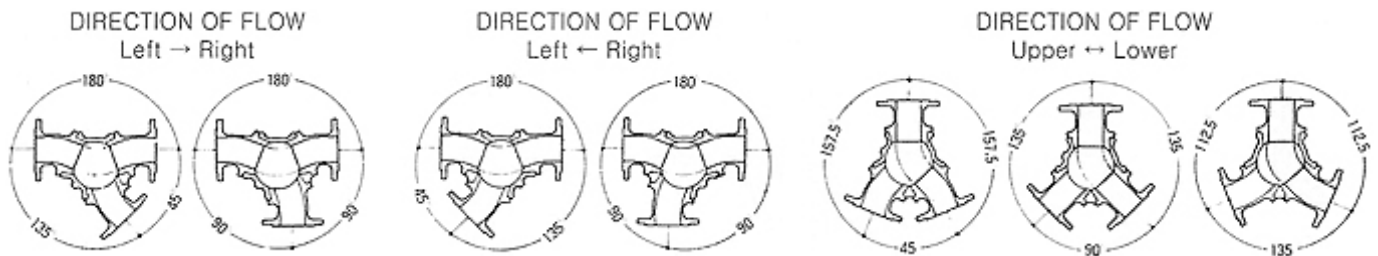
Class	Body(HYD <sup>1</sup> )	Seat(AIR)
JIS 10kg/cm <sup>2</sup>	24kg <sup>1</sup> /in <sup>2</sup>	6kg/cm <sup>2</sup>
ANSI 150lb <sup>1</sup> /in <sup>2</sup>	29kg <sup>1</sup> /cm <sup>2</sup>	

● **Main Materials**

Part Name / Material Qualities	Stainless Steel		Carbon Steel
	SCS 13	SCS 14	SCPH2
Body, Flange Piece, CAP	SCS 13	SCS 14	SCPH2
Ball	SUS 304	SUS 316	SUS 304
Stem	Teflon(Glass 15%)		
Seat Ring, Gasket	SUS 304	SUS 304	S25C
Piece Bolt & Other Bolt	SUS 304	SUS 304	S25C

● **Standard Design**

- a) Max' Design Press<sup>1</sup> : 24kg<sup>1</sup>/cm<sup>2</sup>
- b) Max' Design Temp<sup>1</sup> : 220°C
- c) Service Name : Nylon Chip, Polyester Chip, Powder, Water, Oils and Other Sludge
- d) Pneumatic Operated Air press<sup>1</sup> : 4kg<sup>1</sup>/cm<sup>2</sup>~6kg<sup>1</sup>/cm<sup>2</sup>
- e) Pneumatic Accessories
  - Solenoid V<sub>v</sub>
  - Air Unit
  - Limit Switch
  - Speed Controller
- (Water Proof & Explosion Proof)
- f) Manual Hand, Gear Operated
- g) Motor Operated



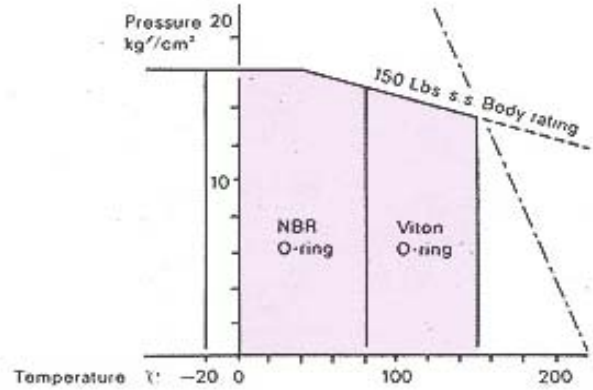
● **Dimensions**

Class	Size	2"	2-1/2"	3"	4"	5"	6"	8"	10"	12"
JIS 10kg/cm <sup>2</sup>	L	290	342	380	470	560	650	796	920	1,170
	H	260	275	298	340	376	420	490	540	620
	W	530	530	395	595	600	600	820	820	1,180
	e <sub>1</sub>	225	260	350	385	475	535	610	780	920
	e <sub>2</sub>	80	89	160	150	195	210	212	320	335
ANSI 150lb <sup>1</sup> /in <sup>2</sup>	L	290	342	388	472	562	656	810	932	1,184
	H	260	275	298	340	376	420	490	540	620
	W	530	530	395	595	600	600	820	820	1,180
	e <sub>1</sub>	225	260	354	386	476	538	617	786	927
	e <sub>2</sub>	80	89	160	150	195	210	212	320	335

## R3V SERIES DIVERTY 3-WAY VANE VALVE (Y-Type)

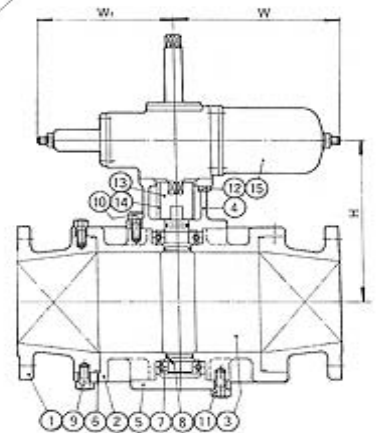
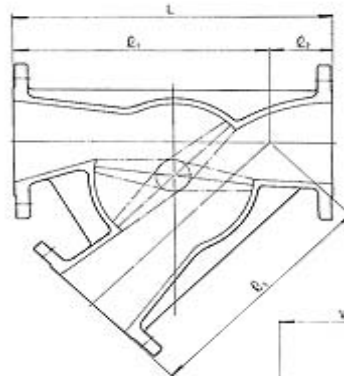


### • Standard Design



### • Material Specification

No.	Part Name	Material
1	Body	Stainless Steel
2	Cap	Stainless Steel
3	Vane	Stainless Steel
4	Yoke	Stainless Steel
5	Cover	Stainless Steel
6	Gasket	Teflon
7	Bearing	Steel
8	O-Ring	Viton
9	Cap Bolt	Stainless Steel
10	Hex' Bolt	Stainless Steel
11	Cover Bolt	Stainless Steel
12	Mounting Bolt	Stainless Steel
13	Coupling	Stainless
14	Clamp	Steel/Stainless Steel
15	Actuator	"KITZ" ASS'Y



## R3T SERIES BALL VALVE 3-WAY (T-Type)



### • Standard Design

- a) Design Press<sup>\*</sup> : 0.1~24kg/cm<sup>2</sup>
- b) Design Temp<sup>\*</sup> : -20~220°C
- c) Service Name : Water, Oils, Gases, Chemicals, ect.
- d) Pneumatic Operated Press<sup>\*</sup> : 4kg/cm<sup>2</sup>~6kg/cm<sup>2</sup>
- e) Pneumatic Accessories
  - Solenoid V/v      • Limit Switch
  - Air Unit          • Speed Controller
- (Water Proof & Explosion Proof)
- f) Manual Hand, Gear Operated

### • Test Pressure

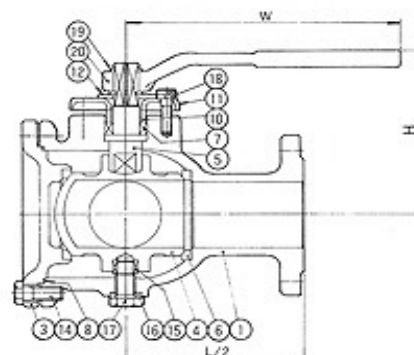
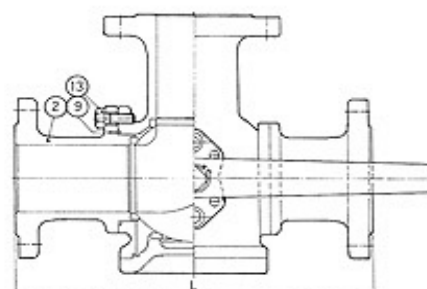
Class	Body(HYD <sup>*</sup> )	Seat(AIR)
JIS 10kg/cm <sup>2</sup>	24kg/cm <sup>2</sup>	6kg/cm <sup>2</sup>
ANSI 150lb/in <sup>2</sup>	29kg/cm <sup>2</sup>	

### • Main Materials

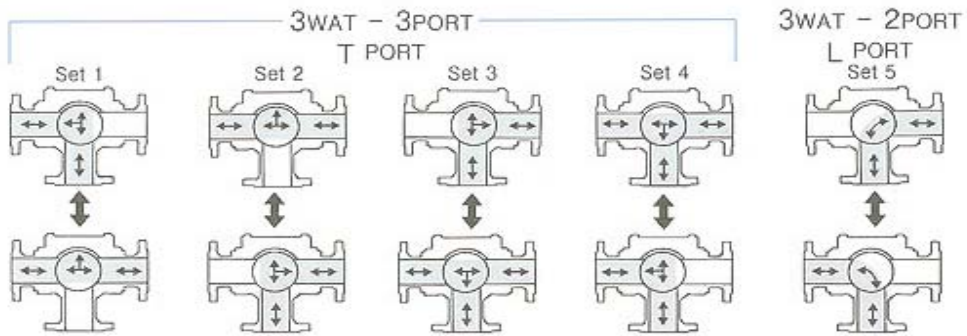
Part Name / Material Qualities	Stainless Steel	
	Body, Flange Piece, Cover	SCS 13
Ball	SCS 13	SCS 14
Stem	SUS 304	SUS 316
Seat Ring, Gasket	Teflon	
Piece Bolt & Other Bolt	SUS 304	SUS 304

### • Material Specification

No.	Part Name	Material
1	Body	Stainless Steel
2	Flange Piece	Stainless Steel
3	Cover	Stainless Steel
4	Ball	Stainless Steel
5	Stem	Stainless Steel
6	Seat Ring	Teflon(Glass 15%)
7	Packing	Teflon
8	Gasket	Teflon
9	Gasket	Teflon
10	Washer	Stainless Steel
11	Gland	Stainless Steel
12	Stopper	Stainless Steel
13	Piece Bolt	Stainless Steel
14	Cover Bolt	Stainless Steel
15	Bearing Bush	Teflon
16	Gasket	Teflon
17	Trunnion	Stainless Steel
18	Gland Bolt	Stainless Steel
19	Snap Ring	Carbon Steel(w/Ni coat <sup>*</sup> )
20	Hand Lever	Ductile Iron



● Operation Form



● Dimensions

Class	Size	1/2"	3/4"	1"	1-1/2"	2"	2-1/2"	3"	4"	5"	6"	8"	10"	12"
JIS 10kg/cm <sup>2</sup>	L	190	190	200	240	260	324	360	430	504	560	660	860	1000
	H	78	85	95	115	125	148	175	222	268	298	375	820	1120
	W	125	125	155	220	220	280	280	400	450	550	800	900	1000
ANSI 150lb'/in <sup>2</sup>	L	190	190	198	240	260	324	360	430	504	566	660	860	1000
	H	78	85	95	115	125	148	175	222	268	298	375	820	1120
	W	125	125	155	220	220	280	280	400	450	550	800	900	1000

KOREA MOTOYAMA INC.

116-11, Geumgok-dong, Seo-gu, Incheon, Korea

Tel : 82-32-568-2745

Fax : 82-32-568-2747

E-mail : [info@komoto.co.kr](mailto:info@komoto.co.kr)

Web : <http://www.komoto.co.kr>