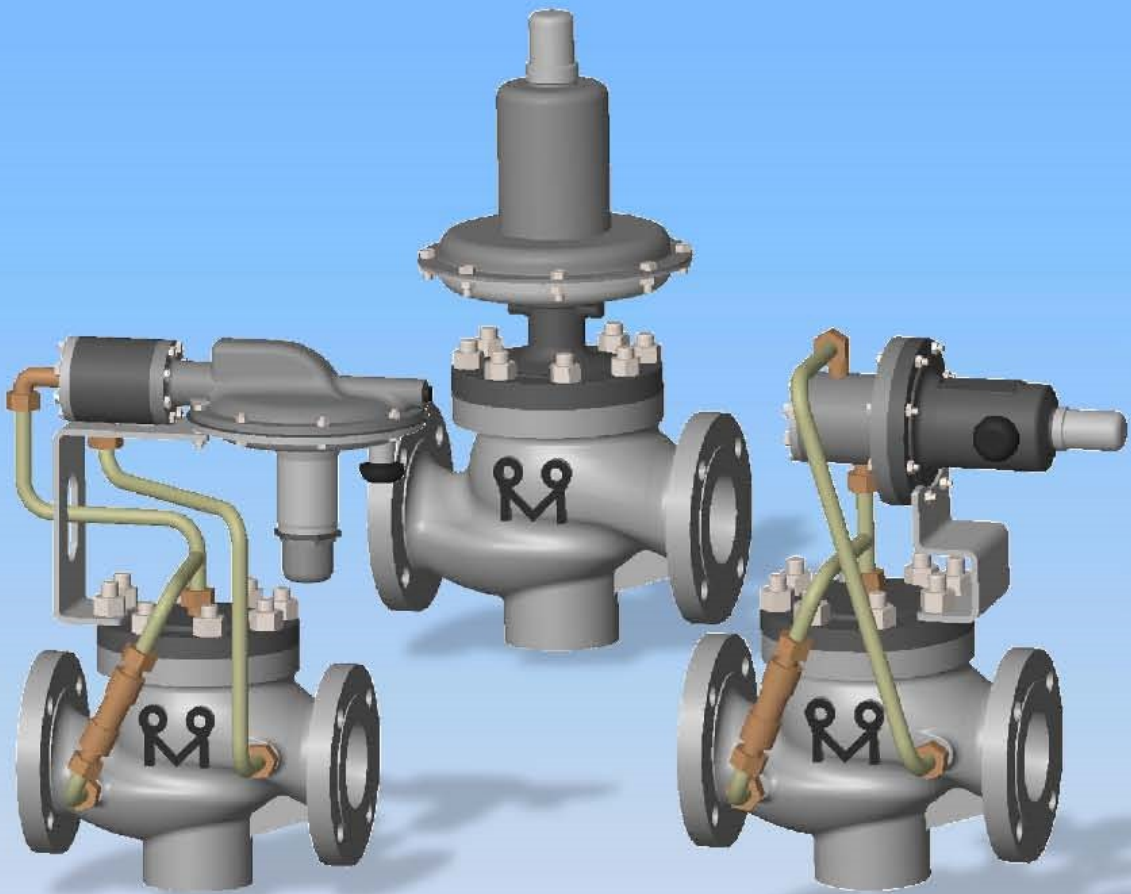


Pressure Regulating Valves



Pressure Reducing Regulator

Back Pressure Regulator

Direct-Operated

Pilot-Operated

TYPES OF REGULATORS

Pressure Reducing Regulators

Pressure Reducing Regulators maintain designed pressure of downstream while providing the required fluid flow.

Direct-Operated Regulators are the simplest type of regulators. It senses downstream pressure and control it by the force of a spring in the diaphragm actuator.

Pilot-Operated Regulators are designed for high flow rates or precision control. A pilot regulator senses changes of downstream pressure and causes movement of a main regulator.

Back Pressure Regulators

Backpressure Regulators maintain a constant upstream pressure throughout the flow range rather than control outlet pressure.

There are **Direct-Operated type** and **Pilot-Operated type**

MODEL SELECTION GUIDE

Actuator

Steam / Gas
→ **1200/1600 Series**
Water / Liquid
→ **1200/1800 Series**

+

Body

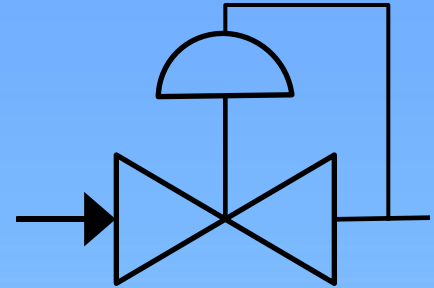
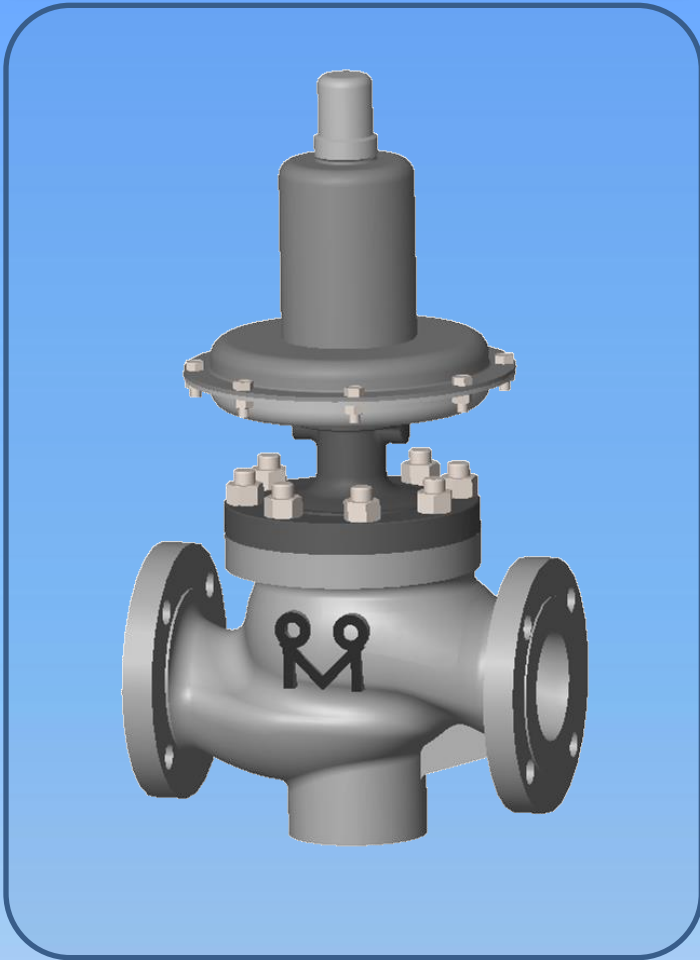
→ **07 Series**

+

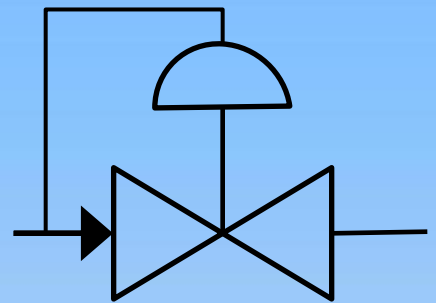
Control Type

Downstream Pressure
→ **A Type**
Upstream Pressure
→ **R Type**

1. PR-1200 SERIES



< Downstream Control >



< Upstream Control >

PR-1200 SERIES regulators are direct-operated, high-capacity, multi-purpose regulators. It provides reliable and economical pressure control in various applications with simple & easy-maintenance design.

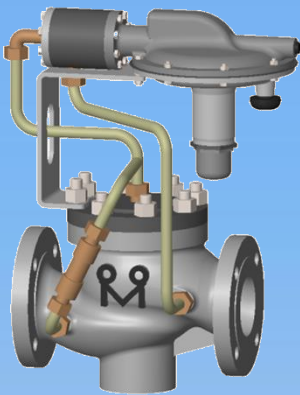
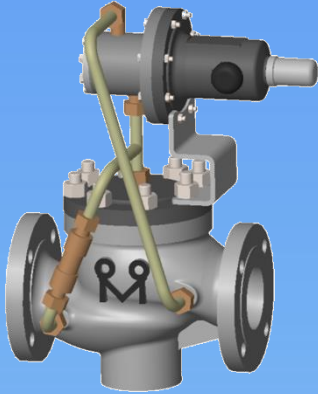
• Set Point Range(BarG): 0.005 ~16.0

Cv Table

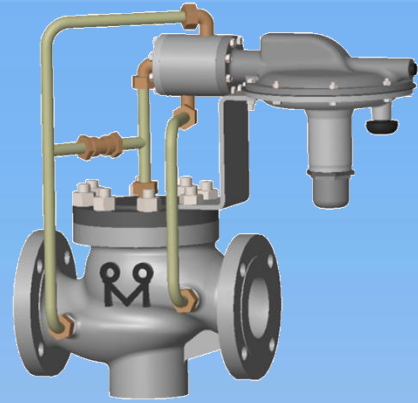
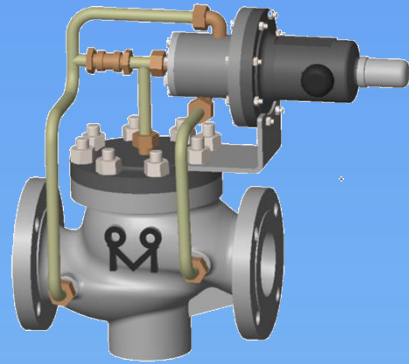
Size	3/16"	1/4"	1/2"	3/4"	1"	1.1/2"	2"	2.1/2"	3"	4"	5"	6"	8"	10"	12"
Cv (Nor.)	0.14	0.25	1	2.25	4	9	16	25	36	64	100	144	256	400	576
Cv (Max.)	0.64	1.20	4.16	8.96	14.8	27.2	44.96	66.4	100	168	220.8	339.2	540	840	1296

* Cv value can be customized.

2. PR-1600 SERIES



< PR-1607A >



< PR-1607R >

PR-1600 SERIES regulators are pilot-operated, high-capacity, multi-purpose regulators. It is designed for steam and gas control.

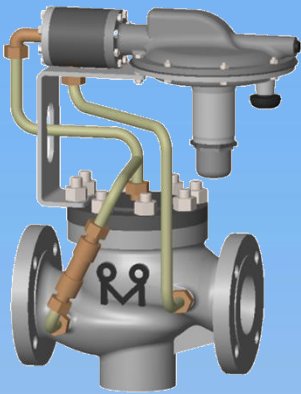
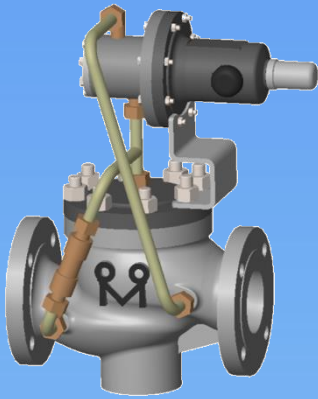
- Set Point Range(BarG): 0.01 ~30.0
- Required Minimum Pressure Drop(Bar) : 0.5

Cv Table

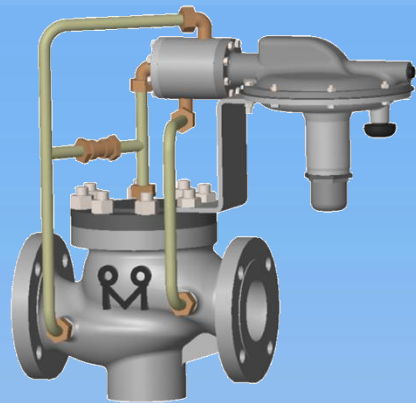
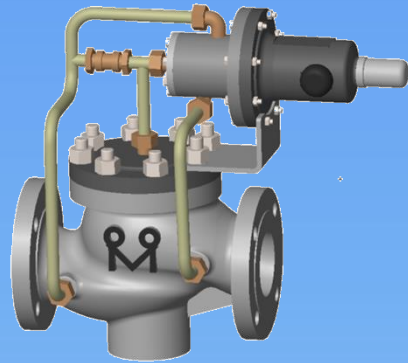
Size	3/16"	1/4"	3/8"	1/2"	3/4"	1"	1.1/2"	2"	2.1/2"	3"	4"	5"	6"	8"	10"	12"
Cv (Nor.)	0.19	0.34	0.77	1.4	3	5.5	12	22	34	50	88	138	198	352	550	792
Cv (Max.)	0.64	1.20	2.28	4.16	8.96	14.8	27.2	44.96	66.4	100	168	220.8	339.2	540	840	1296

* Cv value can be customized.

3. PR-1800 SERIES



< PR-1807A >



< PR-1807R >

PR-1800 SERIES regulators are pilot-operated, high-capacity, multi-purpose regulators. It is designed for water and other liquid control.

- Set Point Range(BarG): 0.01 ~30.0
- Required Minimum Pressure Drop(Bar) : 0.5

Cv Table

Size	3/16"	1/4"	1/2"	3/4"	1"	1.1/2"	2"	2.1/2"	3"	4"	5"	6"	8"	10"	12"
Cv (Nor.)	0.19	0.34	1.4	3	5.5	12	22	34	50	88	138	198	352	550	792
Cv (Max.)	0.64	1.20	4.16	8.96	14.8	27.2	44.96	66.4	100	168	220.8	339.2	540	840	1296

* Cv value can be customized.



KOMOTO Korea Motoyama Inc.

ADD : #116-11, Geumgok-Dong,
Seo-Gu, Incheon City, Korea
(404-330)

TEL : +82-32-568-2745

FAX : +82-32-568-2747

E-MAIL : info@komoto.co.kr

WEB : <http://www.komoto.co.kr>

Distributor / Representative